

# ALVA

## PVC Conduit SCH.40 90° & 45° Bell end & Plain end Elbows



Schedule 40 PVC Conduit Elbows are manufactured with rigid Polyvinyl Chloride (PVC-U) compound according to the specifications of the UL 651 and ASTM D 1784 STANDARD.



The elbows are used in electrical installations to provide bends, change of the directions, and turns in conduit runs.

- Rated for use with 90-degree C wire.
- **UL 651** Listed.
- **SUNLIGHT RESISTANT** rated according to **UL 651 - file number E546229**.
- Certified for underground and above ground usage.
- Rigid nonmetallic PVC for wires and cables.

### Specifications & References

ANSI/UL 651 – file number E546229.  
National Electrical Code  
(NEC 2014) Article 352.  
NEMA TC2.

### Important Facts

**Sunlight Resistant:** *For use in outdoor applications exposed to direct sunlight (UL 651).*

### Installation & Storage

PVC Conduit may be buried directly in the earth. It can be used in walls, floors, and ceilings, and may be encased in concrete. It can be installed in areas exposed to direct sunlight (NEC 352).  
SCH 40.PVC Conduit can be acceptable where not subject to physical damage. SCH.40 PVC Conduit shall be listed to **UL 651** for use outdoors and exposed to direct sunlight.

**Please always check your local codes for any exceptions to the National Electric Code.**

#### U.S. Headquarters

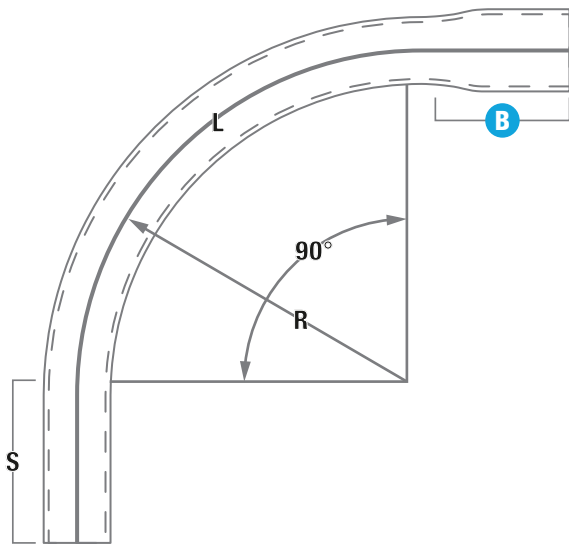
1969 W 9th St, Riviera Beach, Florida 33404  
+1-561-421-1868

sales@alvapvc.com  
www.alva-mfg.com

@alvapvc

# ALVA

## PVC Conduit Schedule 40 90° Bell End Standard Radius



Part No.	Size	R	S	B	L
PE01U90BE	1/2"	4.000	1.500	1.000	6.250
PE02U90BE	3/4"	4.500	1.500	1.500	7.125
PE10U90BE	1"	5.750	1.875	1.500	9.000
PE11U90BE	1-1/4"	7.250	2.000	1.500	11.375
PE12U90BE	1-1/2"	8.250	2.000	2.000	13.000
PE20U90BE	2"	9.500	2.000	2.000	15.000
PE21U90BE	2-1/2"	10.500	3.000	2.250	16.500
PE30U90BE	3"	13.000	3.125	2.500	20.375
PE31U90BE	3-1/2"	15.000	3.250	3.250	23.500
PE40U90BE	4"	16.000	3.375	3.250	25.125
PE50U90BE	5"	24.000	3.625	4.250	37.675
PE60U90BE	6"	30.000	3.750	5.000	47.125

### U.S. Headquarters

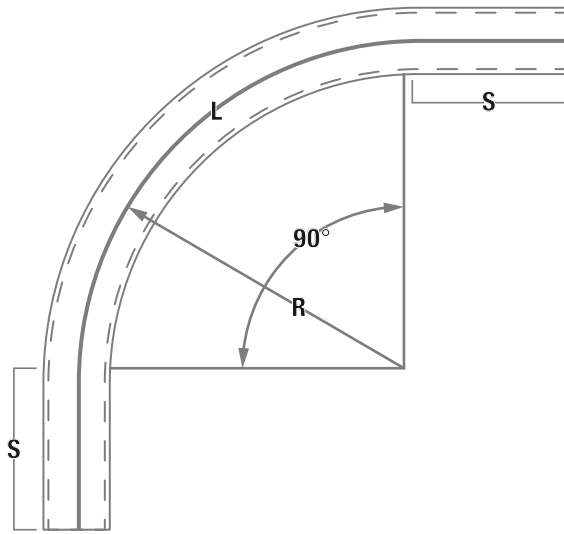
1969 W 9th St, Riviera Beach, Florida 33404  
+1-561-421-1868

sales@alvapvc.com  
www.alva-mfg.com

@alvapvc

# ALVA

## PVC Conduit Schedule 40 90° Plain End Standard Radius



Part No.	Size	R	S	L
PE01U90	1/2"	4.000	1.500	6.250
PE02U90	3/4"	4.500	1.500	7.125
PE10U90	1"	5.750	1.875	9.000
PE11U90	1-1/4"	7.250	2.000	11.375
PE12U90	1-1/2"	8.250	2.000	13.000
PE20U90	2"	9.500	2.000	15.000
PE21U90	2-1/2"	10.500	3.000	16.500
PE30U90	3"	13.000	3.125	20.375
PE31U90	3-1/2"	15.000	3.250	23.500
PE40U90	4"	16.000	3.375	25.125
PE50U90	5"	24.000	3.625	37.675
PE60U90	6"	30.000	3.750	47.125

### U.S. Headquarters

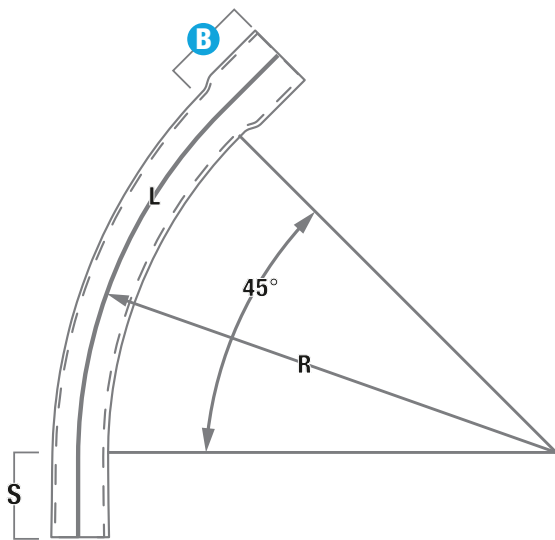
1969 W 9th St, Riviera Beach, Florida 33404  
+1-561-421-1868

sales@alvapvc.com  
www.alva-mfg.com

@alvapvc

# ALVA

## PVC Conduit Schedule 40 45° Bell End Standard Radius



Part No.	Size	R	S	B	L
PE01U45BE	1/2"	4.000	1.500	1.000	3.125
PE02U45BE	3/4"	4.500	1.500	1.500	3.500
PE10U45BE	1"	5.750	1.875	1.500	4.500
PE11U45BE	1-1/4"	7.250	2.000	1.500	5.688
PE12U45BE	1-1/2"	8.250	2.000	2.000	6.500
PE20U45BE	2"	9.500	2.000	2.000	7.500
PE21U45BE	2-1/2"	10.500	3.000	2.250	8.250
PE30U45BE	3"	13.000	3.125	2.500	10.188
PE31U45BE	3-1/2"	15.000	3.250	3.250	11.813
PE40U45BE	4"	16.000	3.375	3.250	12.563
PE50U45BE	5"	24.000	3.625	4.250	18.875
PE60U45BE	6"	30.000	3.750	5.000	23.563

### U.S. Headquarters

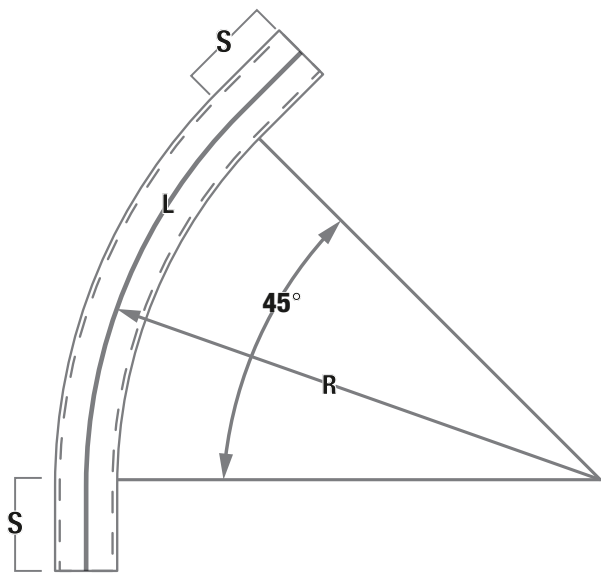
1969 W 9th St, Riviera Beach, Florida 33404  
+1-561-421-1868

sales@alvapvc.com  
www.alva-mfg.com

@alvapvc

# ALVA

## PVC Conduit Schedule 40 45° Plain End Standard Radius



Part No.	Size	R	S	L
PE01U45	1/2"	4.000	1.500	3.125
PE02U45	3/4"	4.500	1.500	3.500
PE10U45	1"	5.750	1.875	4.500
PE11U45	1-1/4"	7.250	2.000	5.688
PE12U45	1-1/2"	8.250	2.000	6.500
PE20U45	2"	9.500	2.000	7.500
PE21U45	2-1/2"	10.500	3.000	8.250
PE30U45	3"	13.000	3.125	10.188
PE31U45	3-1/2"	15.000	3.250	11.813
PE40U45	4"	16.000	3.375	12.563
PE50U45	5"	24.000	3.625	18.875
PE60U45	6"	30.000	3.750	23.563

### U.S. Headquarters

1969 W 9th St, Riviera Beach, Florida 33404  
+1-561-421-1868

sales@alvapvc.com  
www.alva-mfg.com

@alvapvc