

PVC Conduit Sch.40 90° & 45° Bell end & Plain end Elbows



Schedule 40 PVC Conduit Elbows are manufactured with rigid Polyvinyl Chloride (PVC-U) compound according to the specifications of the UL 651 and ASTM D 1784 STANDARD.



The elbows are used in electrical installations to provide bends, change of the directions, and turns in conduit runs

- UL Listed SUNLIGHT RESISTANT according UL 651 - file number E528320
- Certified for underground and above ground usage
- For direct burial and encased burial usage
- Rigid nonmetallic raceway for wires and cables

Specifications & References

ANSI/UL 651 – file number E528320
National Electrical Code (NEC 2014) Article 352
ASTM D-1784 for Cell Class 12253
ASTM D-1785 Dimensions only
NEMA TC2
UL 94 V-0 (Does not support combustion, self-extinguishing).

Important Facts

Sunlight Resistant - *For use in outdoor applications exposed to direct sunlight (UL 651).*

Ambient Use Temperature
from -20°C (-4°F) to 50°C (122°F).

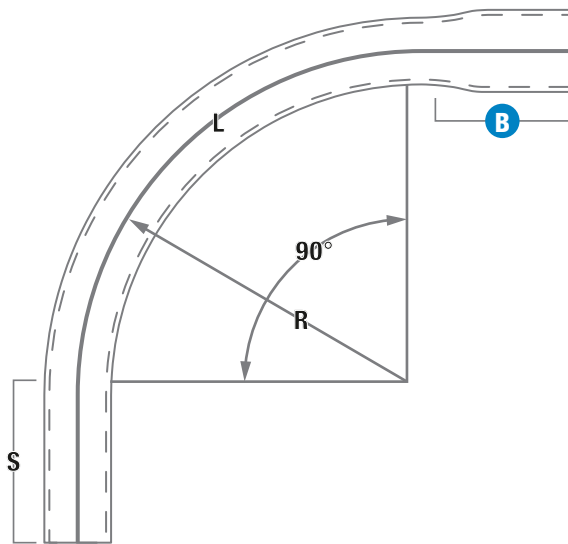
Installation & Storage

PVC Conduit may be buried directly in the earth. It can be used in walls, floors, and ceilings, and may be encased in concrete. It can be installed in areas exposed to direct sunlight (NEC 352).

SCH 40 PVC Conduit can be acceptable where not subject to physical damage. SCH 40 PVC Conduit shall be listed to UL 651 for use outdoors and exposed to direct sunlight.

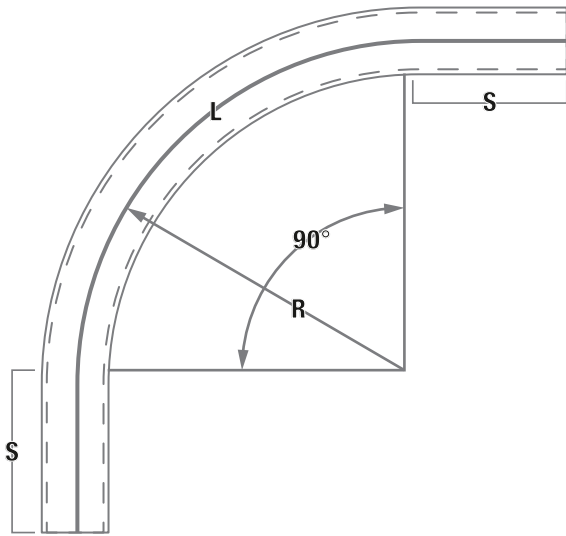
Please always check your local codes for any exceptions to the National Electric Code

PVC Conduit Schedule 40 90° Bell End Standard Radius



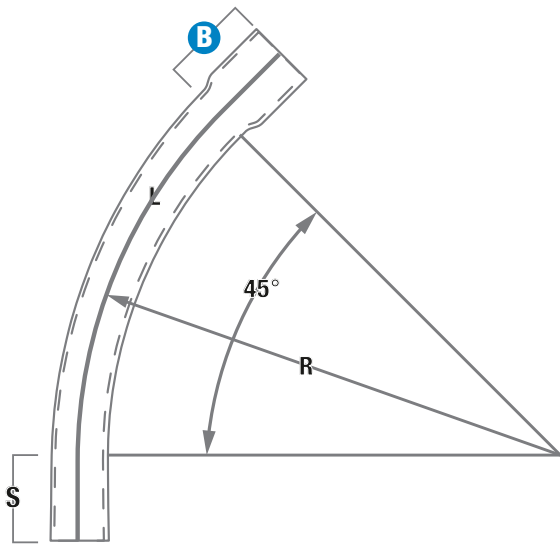
Part No.	Size	R	S	B	L
EZPE01U90BE	1/2"	4.000	1.500	1.000	6.250
EZPE02U90BE	3/4"	4.500	1.500	1.500	7.125
EZPE10U90BE	1"	5.750	1.875	1.500	9.000
EZPE11U90BE	1-1/4"	7.250	2.000	1.500	11.375
EZPE12U90BE	1-1/2"	8.250	2.000	2.000	13.000
EZPE20U90BE	2"	9.500	2.000	2.000	15.000
EZPE21U90BE	2-1/2"	10.500	3.000	2.250	16.500
EZPE30U90BE	3"	13.000	3.125	2.500	20.375
EZPE31U90BE	3-1/2"	15.000	3.250	3.250	23.500
EZPE40U90BE	4"	16.000	3.375	3.250	25.125
EZPE50U90BE	5"	24.000	3.625	4.250	37.675
EZPE60U90BE	6"	30.000	3.750	5.000	47.125

PVC Conduit Schedule 40 90° Plain End Standard Radius



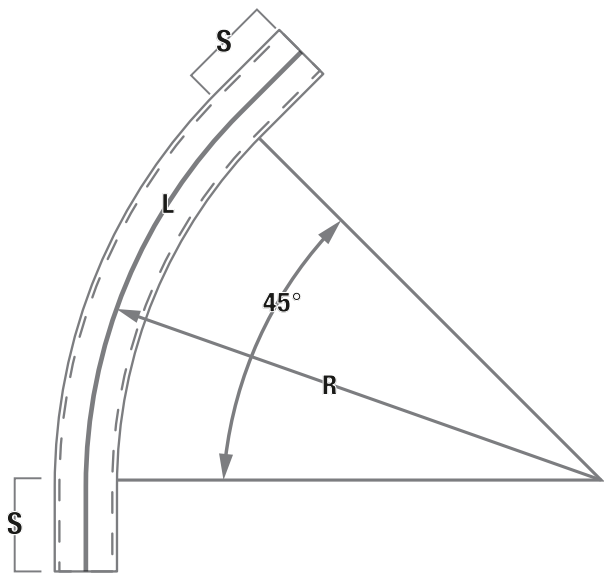
Part No.	Size	R	S	L
EZPE01U90	1/2"	4.000	1.500	6.250
EZPE02U90	3/4"	4.500	1.500	7.125
EZPE10U90	1"	5.750	1.875	9.000
EZPE11U90	1-1/4"	7.250	2.000	11.375
EZPE12U90	1-1/2"	8.250	2.000	13.000
EZPE20U90	2"	9.500	2.000	15.000
EZPE21U90	2-1/2"	10.500	3.000	16.500
EZPE30U90	3"	13.000	3.125	20.375
EZPE31U90	3-1/2"	15.000	3.250	23.500
EZPE40U90	4"	16.000	3.375	25.125
EZPE50U90	5"	24.000	3.625	37.675
EZPE60U90	6"	30.000	3.750	47.125

PVC Conduit Schedule 40 45° Bell End Standard Radius



Part No.	Size	R	S	B	L
EZPE01U45BE	1/2"	4.000	1.500	1.000	3.125
EZPE02U45BE	3/4"	4.500	1.500	1.500	3.500
EZPE10U45BE	1"	5.750	1.875	1.500	4.500
EZPE11U45BE	1-1/4"	7.250	2.000	1.500	5.688
EZPE12U45BE	1-1/2"	8.250	2.000	2.000	6.500
EZPE20U45BE	2"	9.500	2.000	2.000	7.500
EZPE21U45BE	2-1/2"	10.500	3.000	2.250	8.250
EZPE30U45BE	3"	13.000	3.125	2.500	10.188
EZPE31U45BE	3-1/2"	15.000	3.250	3.250	11.813
EZPE40U45BE	4"	16.000	3.375	3.250	12.563
EZPE50U45BE	5"	24.000	3.625	4.250	18.875
EZPE60U45BE	6"	30.000	3.750	5.000	23.563

PVC Conduit Schedule 40 45° Plain End Standard Radius



Part No.	Size	R	S	L
EZPE01U45	1/2"	4.000	1.500	3.125
EZPE02U45	3/4"	4.500	1.500	3.500
EZPE10U45	1"	5.750	1.875	4.500
EZPE11U45	1-1/4"	7.250	2.000	5.688
EZPE12U45	1-1/2"	8.250	2.000	6.500
EZPE20U45	2"	9.500	2.000	7.500
EZPE21U45	2-1/2"	10.500	3.000	8.250
EZPE30U45	3"	13.000	3.125	10.188
EZPE31U45	3-1/2"	15.000	3.250	11.813
EZPE40U45	4"	16.000	3.375	12.563
EZPE50U45	5"	24.000	3.625	18.875
EZPE60U45	6"	30.000	3.750	23.563